



Molly Single Cabin Bed



Assembly Instructions

BEFORE we begin:

You have purchased a solid timber product, this is a natural resource taken from a sustained forest. Timber has been used for beds and furniture for centuries, it is strong and resilient

However this is a natural product. We have cut and stained to make your bed. During this process the timber will “breathe”, absorbing and displacing moisture, this is natural.

When you open the packaging you may find some parts have “warped” or “moved” during this process - DO NOT WORRY.

The product has to be assembled. Just like any box once assembled all parts will be brought back into line. The bed has to be fixed and bolted together, this process aligns ALL parts. So please do not worry if a part looks bent, it will look fine once assembled. It is not a fault.

Safety First !

1. **WARNING:** The top bunk bed must not be used by any persons under the age of SIX.
2. A bunk bed is not a toy or climbing frame, each bed should only be used by ONE PERSON per bunk
3. **WARNING:** The top bunk bed will have a maximum height level, your mattress must not exceed this level. This bunk bed cannot accept a mattress higher than 20cm.
4. The bunk bed should not be used if any part is missing or broken.
5. Children can strangle in items such as ropes, strings, cords harnesses or belts. **DO NOT** attach anything or hang anything on this bunk.
6. **WARNING - WARNING -** Children can become trapped between the bed and the wall. To avoid this risk of serious injury the distance between the top safety barrier and wall shall not exceed 75mm nor shall be more than 230mm.
7. Assembly fastenings should be tightened properly and care should be taken that no fixings are loose. This product will need routine checks to ensure all fixings are not loose.
8. **KEEP SMALL PARTS OUT OF THE REACH OF CHILDREN.**
9. Some items may be heavy. Assemble in the same room of use. **TWO PERSONS** must assemble this product. It is recommended that safety glasses are worn. **NO POWER TOOLS MUST BE USED.**

First step - using the diagrams below please check you all the parts and fixings required for assembly



Bolt A
Small Dowel x 37
Used with facia and
siderails



Bolt E x 36
Small wood screw x
to Fix slats and part 11



Bolt B
Barrell Nut x 4
Connets to M6 bolt fixing
siderail



Bolt F x12
50mm Confirmat Bolts
Used to fix ladder steps



Bolt C x 4
M6 x 90mm bolt
To fix side rails to corner
posts



Bolt H x 2
Bunk bed ladder hooks
with 6 small screws

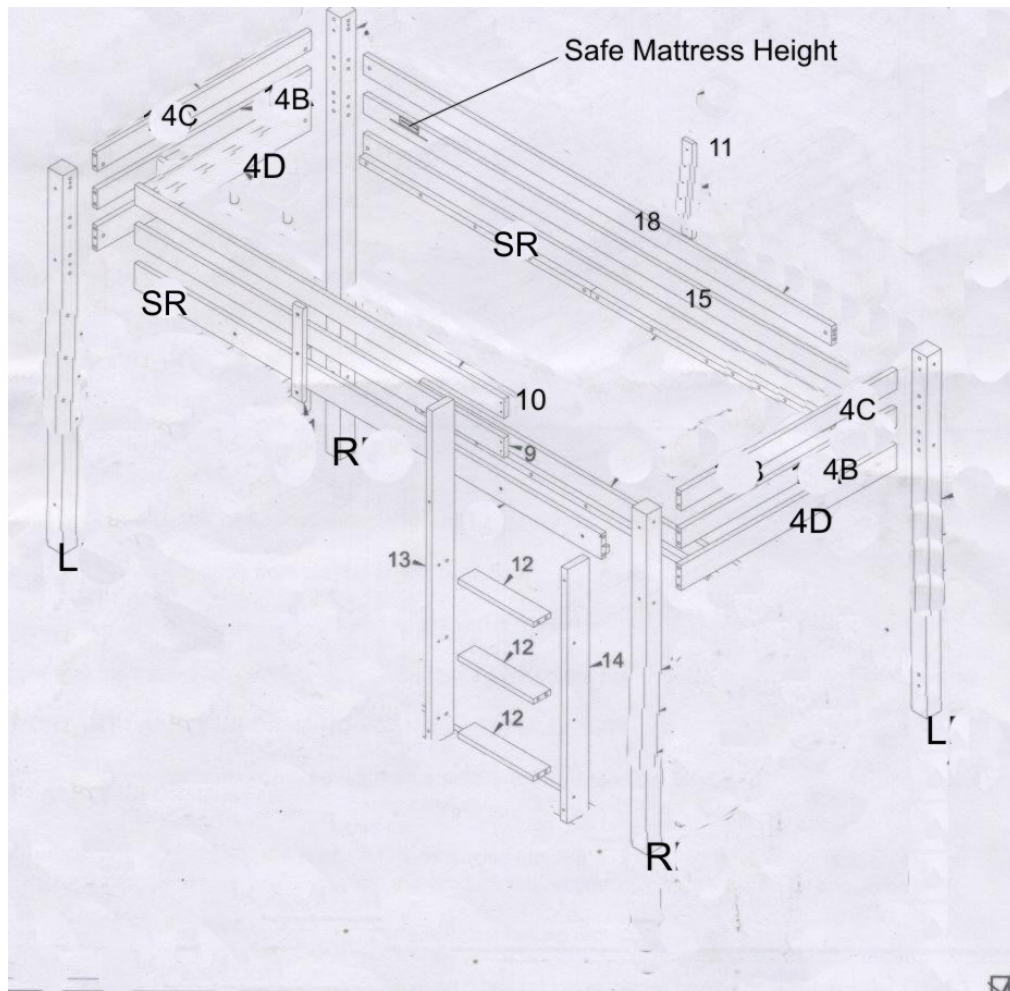


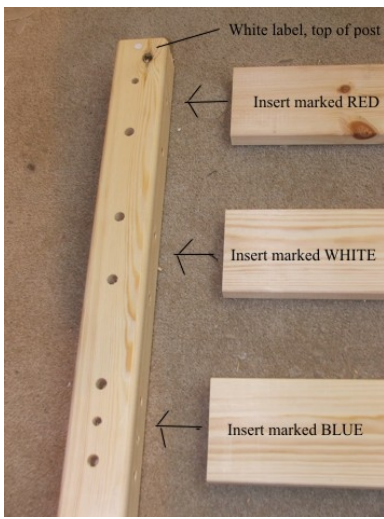
Bolt D x 11
90mm Confirmat Bolt



Bolt F
Allen Key

An over view of what you are about to build - keep close for reference. You will find within the box a packing list that helps identify each part.





Lets build the Headboards

We need to build the two headboards at either end of the bunk bed. You will find four corner posts, two marked L-left, two marked R-right.. Separate into two piles, one left and one right.

Grab one left and one right and lay as so face down on the carpet as shown above. You will note a white sticker on each post, very important. This indicates the top of each post and the row of holes that accepts the side/ guard rails.

You will have Three headboard inserts per headboard. These are colour coded, red (top), white (middle) and blue (bottom) Insert these as per this picture. The blue inserts have Two dowel holes and access hole for the large confirmat bolt.

Now grab the right corner post and attach, Repeat process for the second headboard. You know have two complete headboards ready to attach the side rails.



Attach the siderails

You will have Two side rails, these are universal, they can go on any order so no worries. With a second person stand one of the completed headboard upright, then using the two dowles and 90mm connector bolt / barrel nut per corner attach each siderail

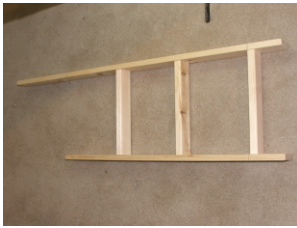
TIP - DO NOT overtight at present, just connect the bolts in the barrel nuts. You still need



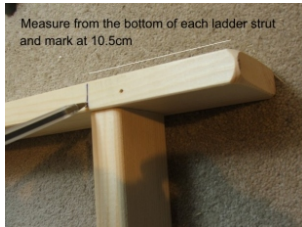
Attach Back Guard Rails

Locate part 18 & 15, part 18 (top) has one larger hole and one thinner hole. Part 15 has two even holes (bottom). With a second post gently push back the corner post and insert, tighten fully. Then repeat this stage for the other size.

Now lets build the ladder and attach to the bunk bed, then attach the two front guard rails.



The ladder consist of one long strut, one short strut and three steps. There is no top, bottom, left or right. Using the small 50mm confirmat bolts simply attach the steps to the each ladder strut.



The ladder is universal. If you are wanting the ladder to go to the right side of the bunk the small strut is to be facing you on the right.. If you want to the left then the small strut has to facing the left. This is now the front of the ladder. Position the ladder flat on the carpet and now turn over, this will be the back of the ladder.

We now have to attach Two hooks, these hook over the side rail.

Grab a tape measure and mark from the bottom of the long strut a line 86.5cm, this is where the ladder hook goes. The hook on the small ladder strut goes at the very top.



We now have to position the ladder. If the ladder is going on the right handside make a small pencil mark in on the top side rail. The mark should be 7.5cm away from the corner post. This mark now shows you where to position the ladder away from the corner post.



NOTE: We have shown a slightly different model but the principle is the same. You naturally do not have the bottom guard rail. Lift the ladder in place where the mark is. With a mallet gently knock down the brackets onto each siderail. These are designed to be tight. Once in place secure with small fixing screws.



Once the ladder is on place grab the two front guard rails. Start with the first rail and position from the corner post to the top of the ladder strut. Then screw in place.

Grab the second guard rail and position to keep the gab even between the top guard rail and side rail. Then again screw fix.





Attach the two guard Rail Supports.

These two rails prevent the guardrails from being forced apart, very important. Grab a tap measure. Now measure and find the centre of the back guard rail and centre of the front guard rail.

Make a small pencil mark. Then attach each guard rail support to the front using the screws provided.

Attach the base slats.- You may use a light electric screw driver for ease.

Place a base slat in the middle of the bunk. Fix one side flush to the side rail, then go around to the other side, push in the side rail until flush then fix. This aligns the side rails. Now evenly position the base slats, 12 per bed. The last slat at each end **MUST** be pushed against the corner post to prevent no spaces.

Now the bed has been assembled go around all the fixings with the allen key and check all are tight and secure. Remember you will need to do this on a regular basis dependant on the use.

*Clean up after yourself - Small fixings pose a risk to young children - they eat them !
Remove all packaging and fixings prior to use - think safety*

