



AMY
Double/Kingsize Bed



Assembly
Instructions

Fixings Required



Bolt A (10mmx40mm)
Large Dowel x 20
Used with facia and siderails



Bolt D
Confirmat Bolt
(large) x 6



Bolt A1 (10mm by 30mm)
Small Dowel x 24
Used with shaker inserts



Bolt E
Base slat screws x 28



Bolt B
Barrell Nut x 4
Connets to M6 bolt
fixing siderail

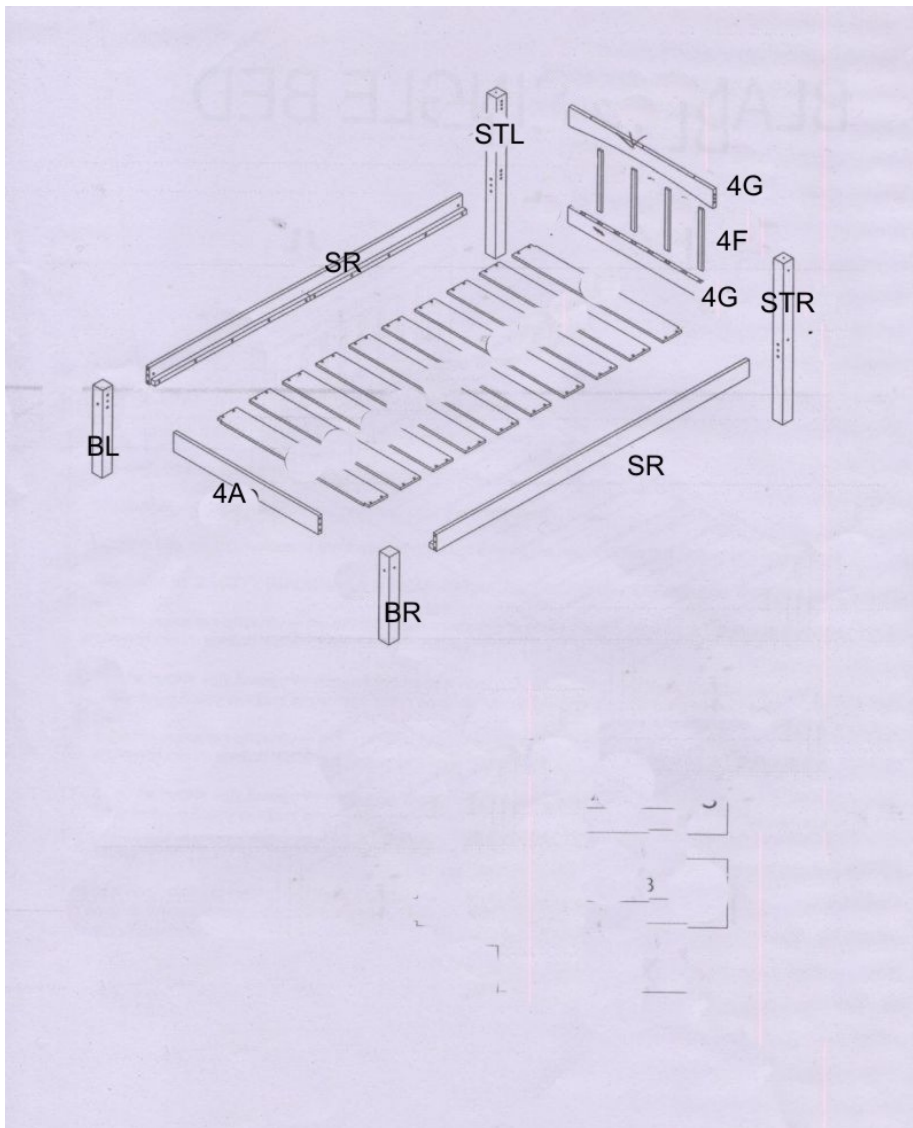


Bolt F x1
Allen Key

1x



Bolt C
M6 x 90mm bolt x 4
To fix side rails to corner
posts



The parts have been marked at the ends for easy identity, however for your reference we have detailed below for assistance.

Headboard Inserts



Part 4G

Requires 2x small dowel (A)
and 1x Bolt F (large confirmat)
Creates top and bottom of
headboard



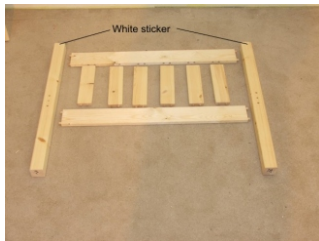
Part 4A (blue)

Requires 2x small dowel (A)
and 1x Bolt F (large confirmat)
Goes at the bottom of the
headboard



First we need to create the headboard insert.

Grab parts 4G, both do not have colour stickers. They have lines of access holes for the shaker inserts. Both are universal. Grab the shaker inserts and put in the dowel rods, then insert into parts 4G.



Now we attach the headboard insert to the corner posts.

Each corner post will have a white sticker, lay the post down and have the sticker facing you to the top. STL goes to the left, STR goes to the right. Now attach the headboard insert to the corner posts.



Now we need to build the footboard.

Each corner post will have a white sticker, lay the post down and have the sticker facing you to the top. BL goes to the left, BR goes to the right. Now attach the headboard insert to the corner posts.

Attach the siderails

You will have Two side rails, these are universal, they can go on any order so no worries. With a second person stand one of the completed headboard upright, then using the two dowels and 90mm connector bolt / barrel nut per corner attach each siderail

Attach the base slats.- You may use a light electric screw driver for ease.

Place a base slat in the middle of the bed. Fix one side flush to the side rail, then go around to the other side, push in the side rail until flush then fix. This aligns the side rails. Now evenly position the base slats, 14 per bed. The last slat at each end **MUST** be pushed against the corner post to prevent no spaces.



Centre Rail.

Once you have attached the base slats lift the bed on its side. Using the two metal brackets place the centre rail inside the brackets and screw under the slats at the top and bottom of the bed.

** Note- For the kingsize model the centre rail comes in two halves and is joined by the centre leg provided.